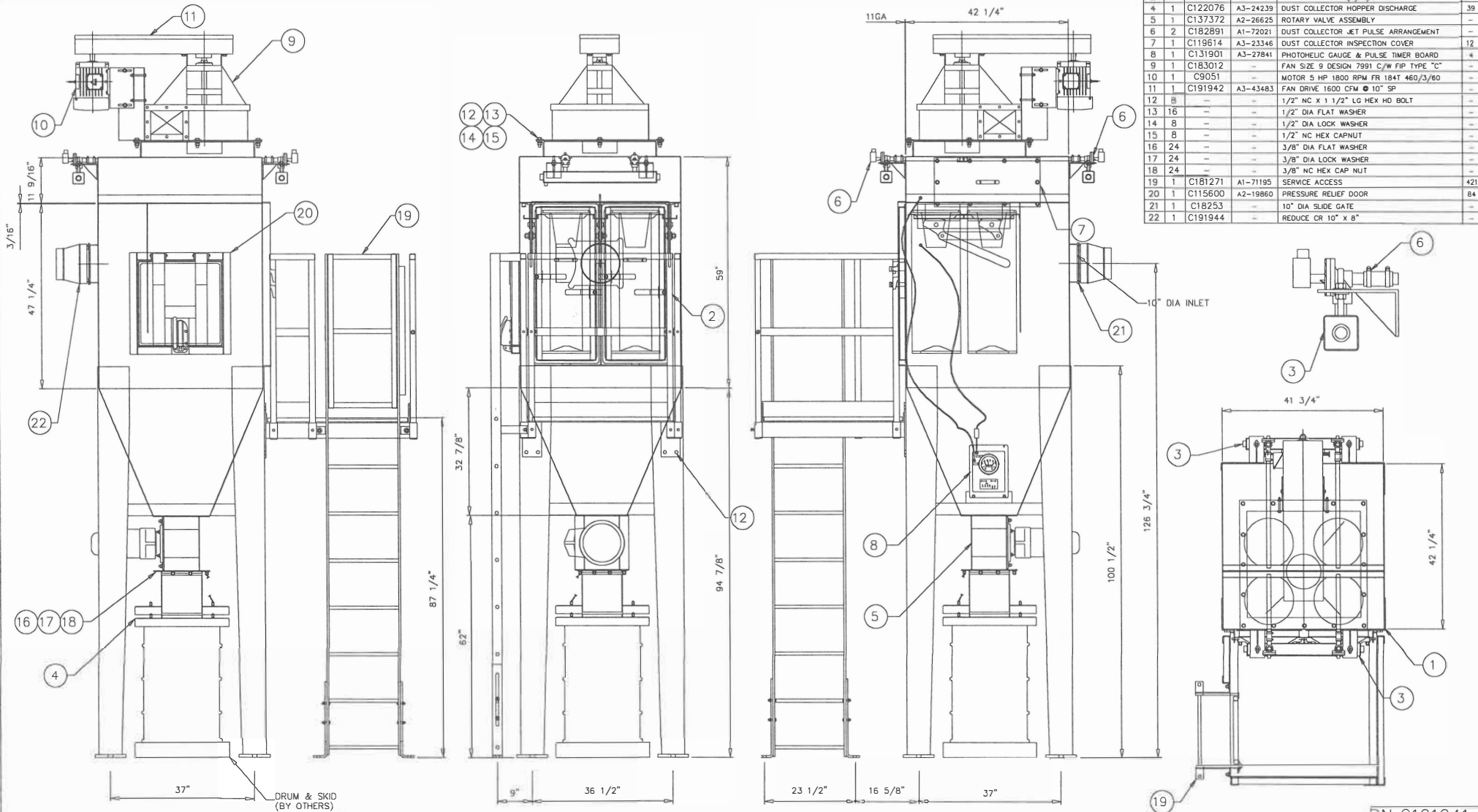


ITEM	QTY	PART NO.	DWG NO.	DESCRIPTION	WT.
1	1	C182819	A1-71975	JPSM-20 4 HOUSING WELDMENT	1400
2	2	C172316	A1-66853	JPSM DUST COLLECTOR DOOR	90
3	2	C181157	A2-39186	DUST COLLECTOR (2) 3/4" DIA VALVE HEADER	74
4	1	C122076	A3-24239	DUST COLLECTOR HOPPER DISCHARGE	39
5	1	C137372	A2-26625	ROTARY VALVE ASSEMBLY	--
6	2	C182891	A1-72021	DUST COLLECTOR JET PULSE ARRANGEMENT	--
7	1	C119614	A3-23346	DUST COLLECTOR INSPECTION COVER	12
8	1	C131901	A3-27841	PHOTOELECTRIC GAUGE & PULSE TIMER BOARD	4
9	1	C183012	--	FAN SIZE 9 DESIGN 7991 C/W FIP TYPE "C"	--
10	1	C9051	--	MOTOR 5 HP 1800 RPM FR 184T 460/3/60	--
11	1	C191942	A3-43483	FAN DRIVE 1600 CFM @ 10" SP	--
12	8	--	--	1/2" NC X 1 1/2" LG HEX HD BOLT	--
13	16	--	--	1/2" DIA FLAT WASHER	--
14	8	--	--	1/2" DIA LOCK WASHER	--
15	8	--	--	1/2" NC HEX CAPNUT	--
16	24	--	--	3/8" DIA FLAT WASHER	--
17	24	--	--	3/8" DIA LOCK WASHER	--
18	24	--	--	3/8" NC HEX CAP NUT	--
19	1	C181271	A1-71195	SERVICE ACCESS	421
20	1	C115600	A2-19860	PRESSURE RELIEF DOOR	84
21	1	C18253	--	10" DIA SLIDE GATE	--
22	1	C191944	--	REDUCE CR 10" X 8"	--



**U.S. FILTER**  
SCP

U.S. FILTER/BCP  
1218 CORPORATE DRIVE  
BURLINGTON, ONTARIO  
CANADA  
L7L 5V5  
TELEPHONE: (905) 319-7930  
FACSIMILE: (905) 319-7632

DATE: 15 APRIL 2004  
SCALE: 1"=1'  
GROUP: 30

DRAWN: HOLLERHH  
DRAWING NO: A1-76677  
REV: 0

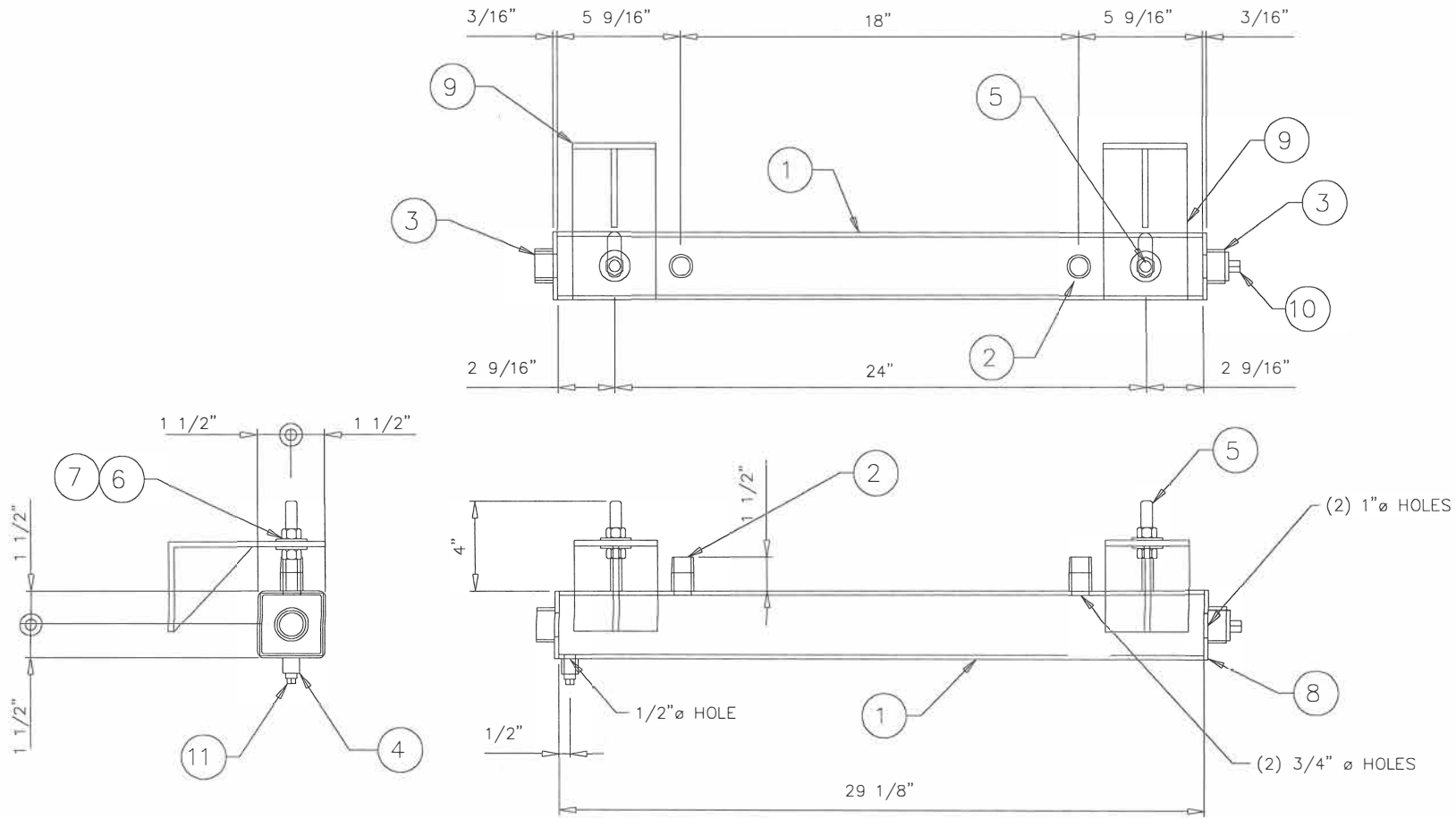
PN C191941

JPSM-20 4 DUST COLLECTOR  
1600 CFM @ 10" SP  
C/W ROTARY VALVE & RELIEF DOOR

THIS DRAWING AND THE DESIGN SHOWN THEREIN IS THE PROPERTY OF U.S. FILTER/BCP AND USE OR COPIES THEREOF CANNOT BE MADE WITHOUT WRITTEN CONSENT



ITEM	QTY	PART NO	DWG NO	DESCRIPTION	WT
1	1	-	-	HSS 3" X 3" X 0.188" WL X 29 1/8"	17
2	2	C35377	-	PIPE 3/4" STD X 1 1/2"	2
3	2	C35378	-	3/4" DIA -150# HALF COUPLING	-
4	1	C28037	-	1/4" DIA -150# HALF COUPLING	-
5	2	-	-	1/2"NC X 4" LG TH'D WELD STUD	-
6	4	-	-	1/2" FLAT WASHER	-
7	4	-	-	1/2"NC HEX NUT	-
8	2	-	-	PL 3/16" X 2 3/4" X 2 3/4"	2
9	2	C87978	A2-11393	HEADER SUPPORT BRACKET	16
10	1	C180509	-	3/4" NPT STD PIPE PLUG	-
11	1	C179417	-	1/4" NPT STD PIPE PLUG	-



PN C181157



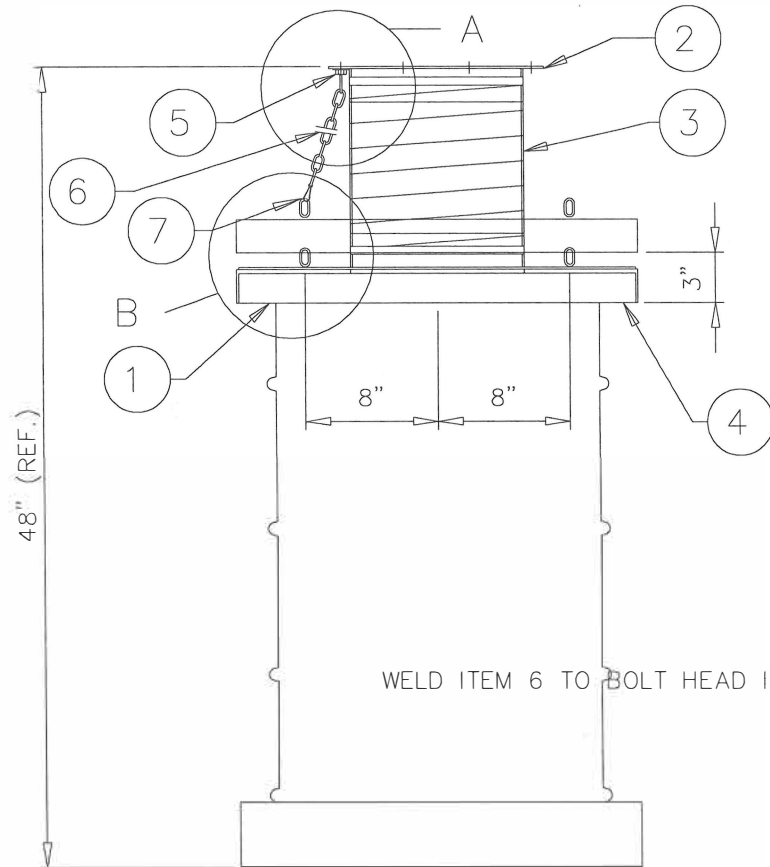
U.S. FILTER/BCP  
 1219 CORPORATE DRIVE  
 BURLINGTON, ONTARIO  
 CANADA L7L 5V5  
 TELEPHONE: (905) 319-7930  
 FACSIMILE: (905) 319-7632

REV	DATE	DESCRIPTION	BY	DATE	SCALE	DRAWN	COPY OF
				10 MAR 2003	3"	H HOLIERHOEK	-
THIS DRAWING AND THE DESIGN SHOWN THEREIN IS THE PROPERTY OF US FILTER/BCP AND USE OR COPIES THEREOF CANNOT BE MADE WITHOUT WRITTEN CONSENT				GROUP	SCALE	DRAWING NO	REV
				30	3"=1'-0"	A2-39186	0
						WEIGHT	37

REV 0  
DRAWING NO A3-24239

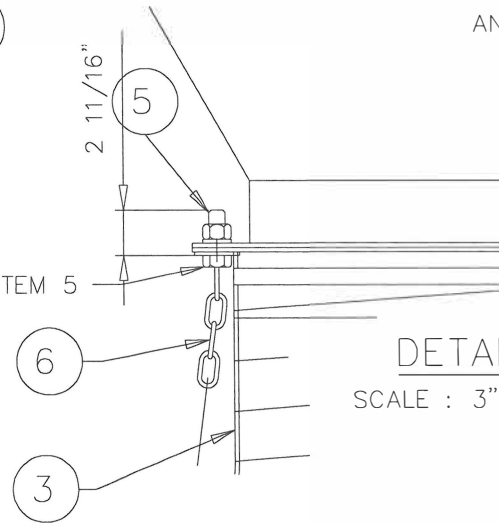
DRAWING NO  
A3-24239  
REV 0

ITEM	QTY	PART NO	DWG NO	DESCRIPTION	WT
1	1	C98874	A3-16088	DRUM LID	29
2	1	C98876	A2-14515	ADAPTER FLANGE	10
3	1	C98790	-	FLEXIBLE HOSE 10" DIA X 14" LG	-
4	2	C12744	-	BAND CLAMP X 10" DIA	-
5	2	-	-	1/2" NC HEX BOLT X 1 1/4" C/W NUT FW & LW	-
6	2	C100462	-	1/8" LINK CHAIN X 10" LG	-
7	2	C99693	-	SNAP HOOK	-

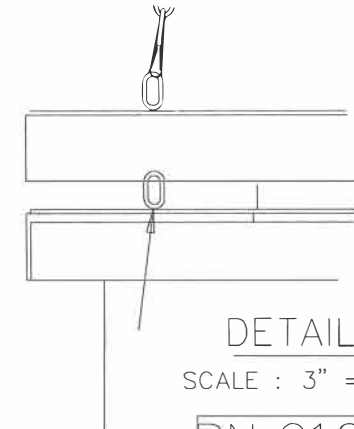


REMOVE 1 LINK FROM EACH CHAIN  
AND WELD TO DRUM LID EQUI-SPACED  
FROM CL & OPPOSITE EACH OTHER

WELD ITEM 6 TO BOLT HEAD ITEM 5



DETAIL A  
SCALE : 3" = 1'-0"



DETAIL B  
SCALE : 3" = 1'-0"

PN C122076



U.S. FILTER/BCP  
1219 CORPORATE DRIVE  
BURLINGTON, ONTARIO  
CANADA  
L7L 5V5

TELEPHONE: (905) 319-7930  
FAX: (905) 319-7632

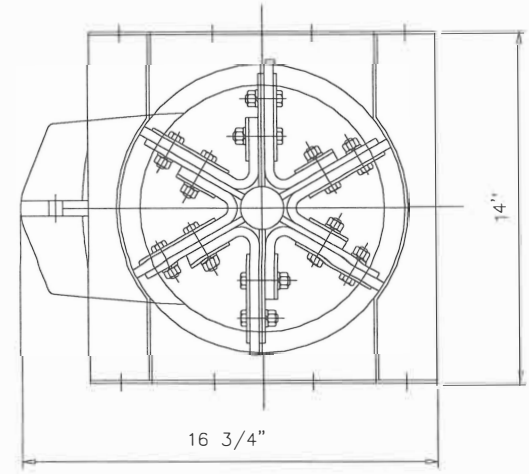
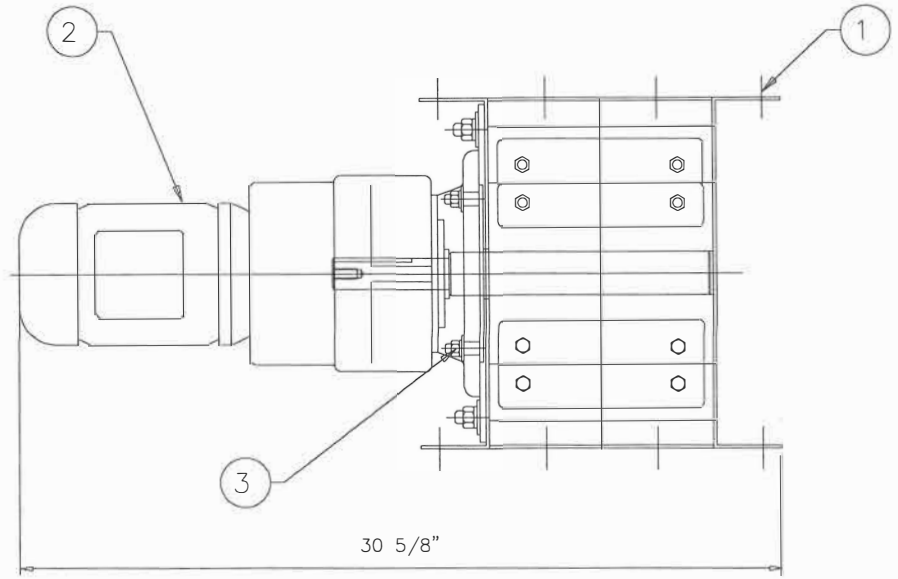
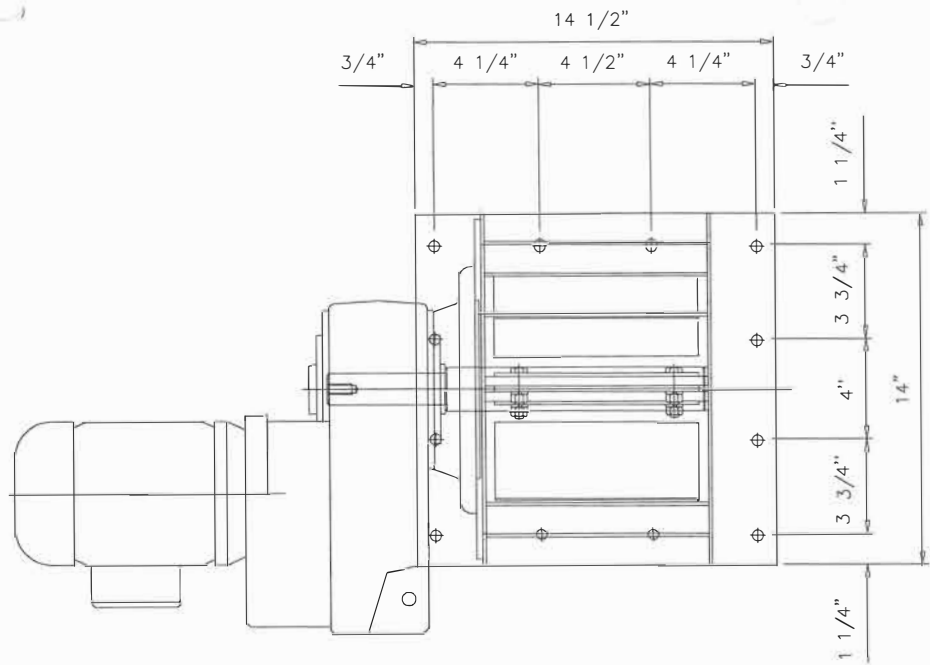
REV	DATE	DESCRIPTION	BY

DUST COLLECTOR DISCHARGE ASSEMBLY

DATE 11 DEC 1997	DRAWN J. ZIELINSKI	COPY OF A3-16397
---------------------	-----------------------	---------------------

THIS DRAWING AND THE DESIGN SHOWN THEREIN IS THE PROPERTY OF US FILTER/BCP  
AND USE OR COPIES THEREOF CANNOT BE MADE WITHOUT WRITTEN CONSENT

GROUP 30	SCALE 1/2"=1'-0"	DRAWING NO A3-24239	REV 0	WEIGHT 39
-------------	---------------------	------------------------	----------	--------------



ITEM	QTY	PART NO	DWG NO	DESCRIPTION	WT
1	1	C137436	-	ROTARY VALVE VALVE BODY	-
2	1	C137390	-	REDUCER 1/3 HP @ 11 RPM	-
3	4	-	-	3/8" NC HEX NUT C/W F/W & L/W	-

PN C137372



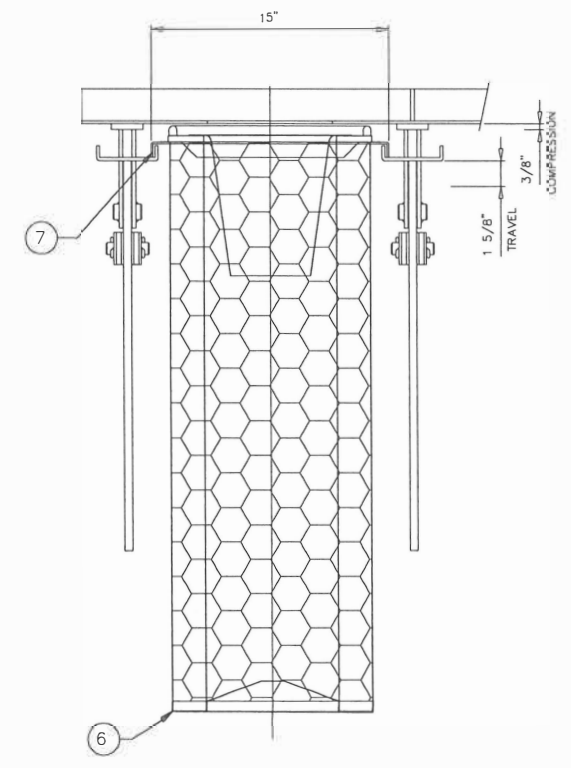
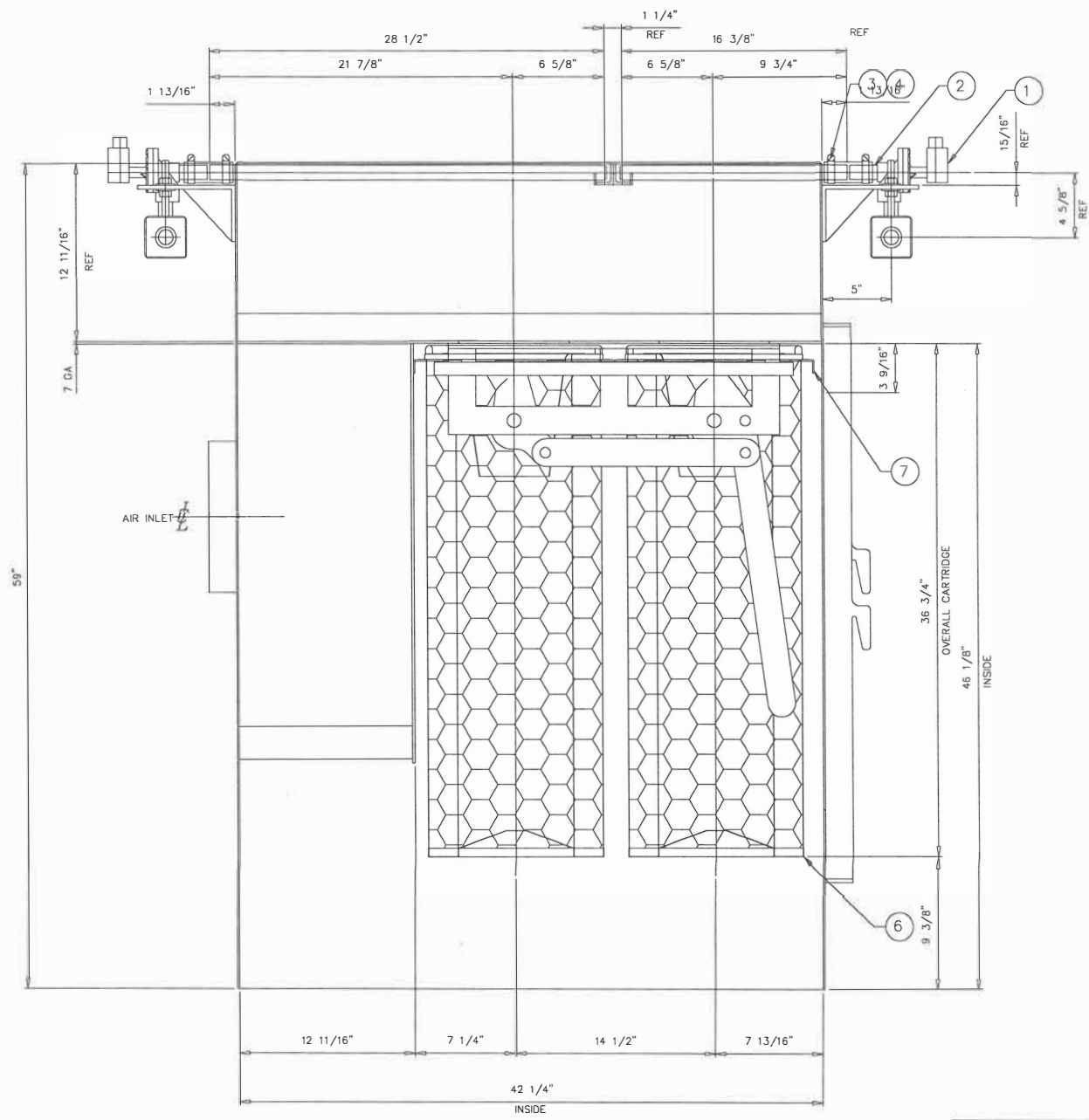
U.S. FILTER/BCP  
 1219 CORPORATE DRIVE  
 BURLINGTON, ONTARIO  
 CANADA  
 L7L 5V5  
 TELEPHONE: (905) 319-7930  
 FACSIMILE: (905) 319-7632

REV	DATE	DESCRIPTION	BY

THIS DRAWING AND THE DESIGN SHOWN THEREIN IS THE PROPERTY OF US FILTER/BCP AND USE OR COPIES THEREOF CANNOT BE MADE WITHOUT WRITTEN CONSENT

ROTARY VALVE ASSEMBLY 460/3/60 1/3 HP 11 RPM NORD DRIVE		DATE 10 MARCH 1999	DRAWN W WACLAWSKI	COPY OF -
GROUP 30	SCALE 3/8"=1'-0"	DRAWING NO A2-26625	REV 0	WEIGHT -

ITEM	QTY	PART NO	DWG NO	DESCRIPTION	WT
1	2	C52665	-	DIAPHRAGM VALVE 3/4" C/W SOLENOID	-
2	2	C35376	-	PIPE NIPPLE	-
3	2	C59394	-	RUBBER SLEEVE 2" LG	-
4	4	C29113	-	HOSE BAND CLAMP	-
5	2	C14064	-	VENTURI	-
6	2	C181144	-	FILTER CARTRIDGE 36"	-
7	2	C119828	-	CARTRIDGE SUPPORT	-



PULSECONTROL VALVE REPAIR KIT P/N C83106

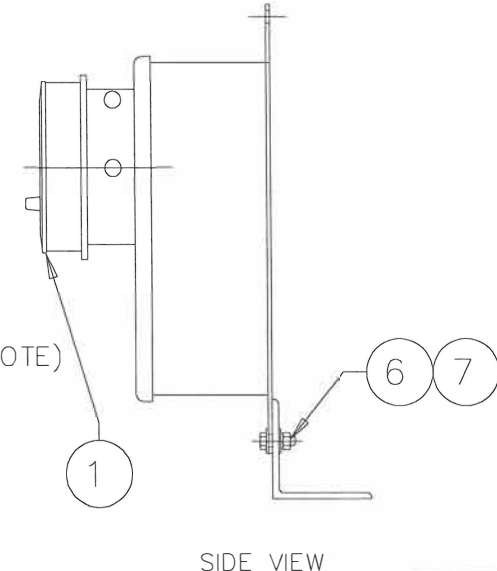
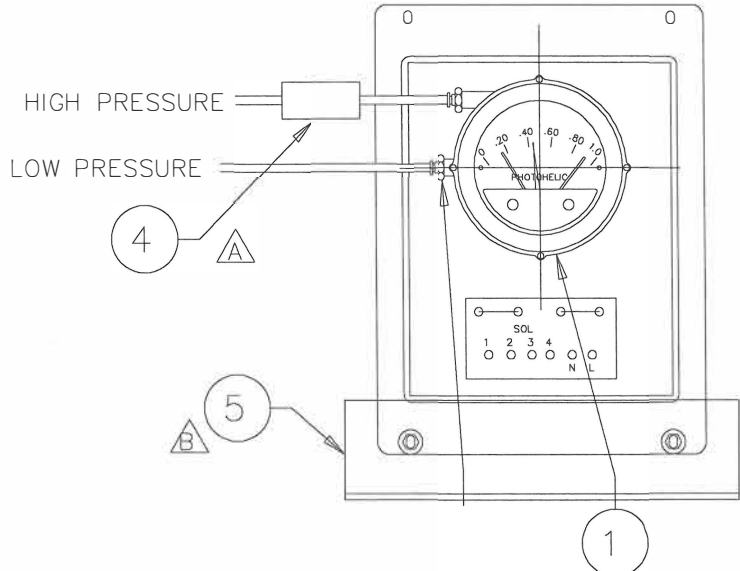
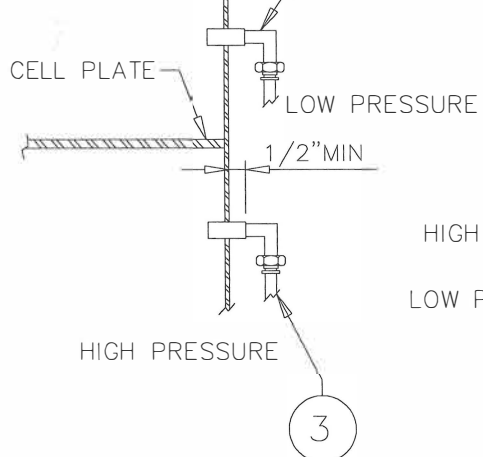
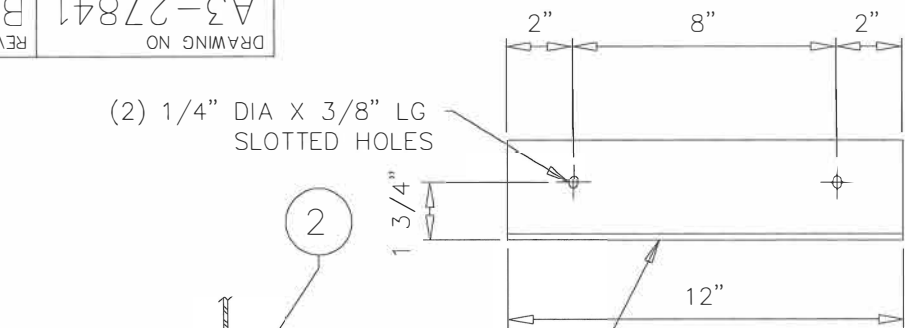
PN C182891

	U.S. FILTER/BCP 1318 CORPORATE DRIVE BURLINGTON, ONTARIO CANADA L7R 5V5		TELEPHONE: (905) 319-7830 FACSIMILE: (905) 319-7832		
	DATE	14 MAY 2003	DRAWN	H. HOLERHOEK	
GROUP	30	SCALE	3/4"=1'-0"	DRAWING NO	A1-72021
THIS DRAWING AND THE DESIGN SHOWN THEREIN IS THE PROPERTY OF US FILTER/BCP AND USE OR COPIES THEREOF CANNOT BE MADE WITHOUT WRITTEN CONSENT		REV	0	WEIGHT	-

REV	DATE	DESCRIPTION	BY
1		JPSM-20 JET PULSE ARRANGEMENT 3/4" DIA COVEN VALVES 80/20 FLAME RETARDANT CARTRIDGES	

REV B  
DRAWING NO A3-27841

DRAWING NO  
A3-27841  
REV B



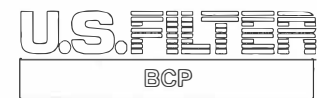
ITEM	QTY	PART NO	DWG NO	DESCRIPTION	WT
1	1	C154638	-	PHOTOHELIC GAUGE & TIMER	-
2	4	C38298	-	1/8" NPT TO 1/4" PUSH-IN ELBOW	-
3	1	C9168	-	1/4" DIA. TUBING X 100' LG.	-
4	1	C106586	-	INLINE FILTER	-
5	1	-	-	< 3" X 3" X 3/16" X 12"	4
6	2	-	-	1/4"NC X 1" LG HEX HD BOLT C/W FW	-
7	2	-	-	1/4"NC HEX NUT C/W FW & LW	-

A  
B  
B  
B

\* NOTE: LOCATE IN CONTROL PANEL; MUST BE VISIBLE BY OPERATOR AT ALL TIMES

PN C131901

REV	DATE	DESCRIPTION	BY
B	25 APRIL 2000	ADDED TIMER BOARD & PANEL	HH
A	27 OCT 1998	ADDED INLINE FILTER.	MC



U.S. FILTER/BCP  
1219 CORPORATE DRIVE  
BURLINGTON, ONTARIO  
CANADA  
L7L 5V5  
TELEPHONE: (905) 319-7930  
FAX: (905) 319-7632

PHOTOHELIC & TIMER MNT ASSEMBLY 0-10", C/W 4 CHANNEL TIMER 110/1/60		DATE 19 OCT 1998	DRAWN M. CISCO	COPY OF A3-5022
GROUP 30	SCALE 3"=1'-0"	DRAWING NO A3-27841	REV B	WEIGHT 4

THIS DRAWING AND THE DESIGN SHOWN THEREIN IS THE PROPERTY OF US FILTER/BCP AND USE OR COPIES THEREOF CANNOT BE MADE WITHOUT WRITTEN CONSENT

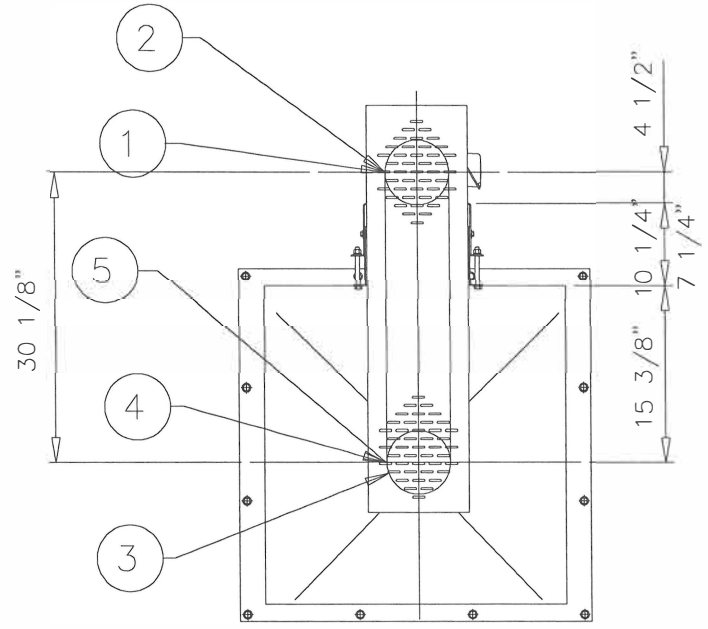
REV 0  
DRAWING NO A3-43483

DRAWING NO A3-43483  
REV 0

ITEM	QTY	PART NO	DWG NO	DESCRIPTION	WT
1	1	C139029	-	MOTOR SHEAVE 2B GROOVE 11.0" PD	
2	1	C139047	-	MOTOR BUSHING SK 1 1/8" BORE	
3	1	C145761	-	FAN SHEAVE 2B GROOVE 6.4" PD	
4	1	C147795	-	FAN BUSHING SDS 1 3/16" BORE	
5	2	C150221	-	VEE BELT B-85	

NORTHERN BLOWER

FAN SIZE DRIVE: 9 SISW DESIGN 7991 CLASS II  
 OUTPUT: 1600 C.F.M. @ 10" S.P.  
 MOTOR: 5H.P. @ 1800 R.P.M. FR. 184T  
 MAX. BHP: 4.77  
 OUTPUT R.P.M.: 2919  
 OUTLET VEL.: 3606  
 ELEVATION: S.L.  
 TEMP.: 70° F



ARRANGEMENT 9-TH-CCW-T

1) OSHA BELT GUARD  
 2) V-BELTS AND SHEAVES  
 BELT CENTRES 30.125"  
 RATIO: 1.68:1

PN C191942



U.S. FILTER/BCP  
 1219 CORPORATE DRIVE  
 BURLINGTON, ONTARIO  
 CANADA  
 L7L 5V5  
 TELEPHONE: (905) 319-7930  
 FAX: (905) 319-7632

REV	DATE	DESCRIPTION	BY

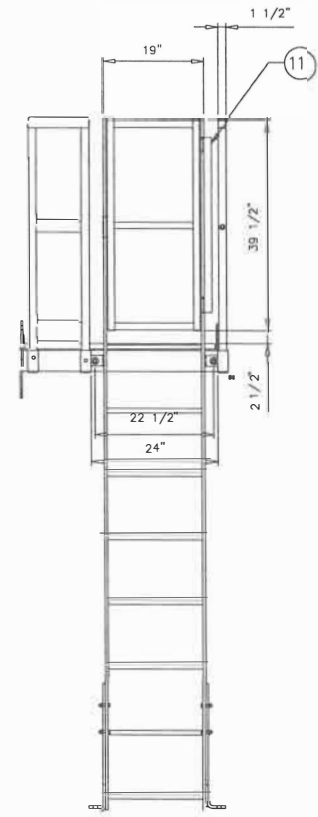
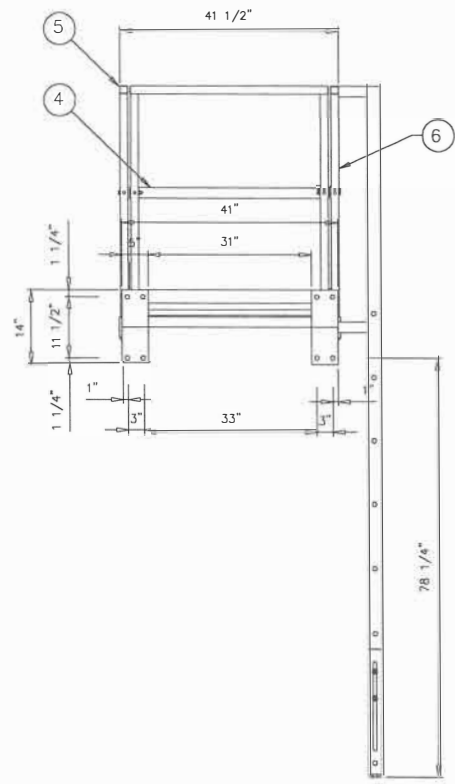
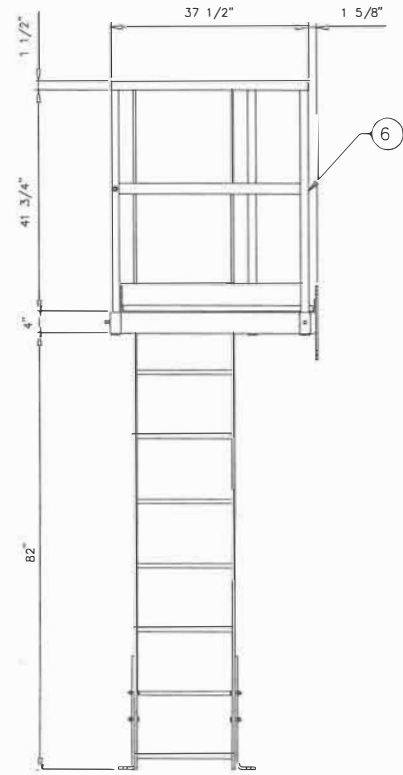
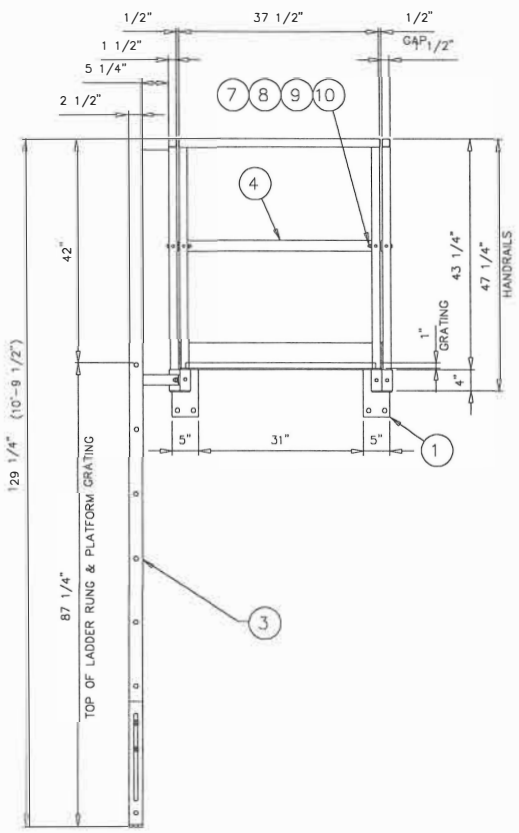
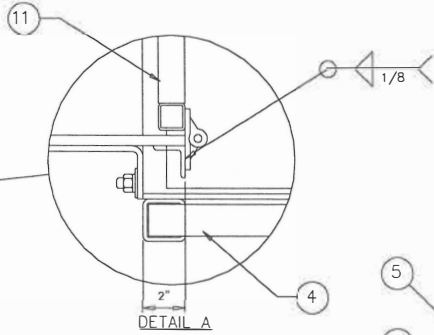
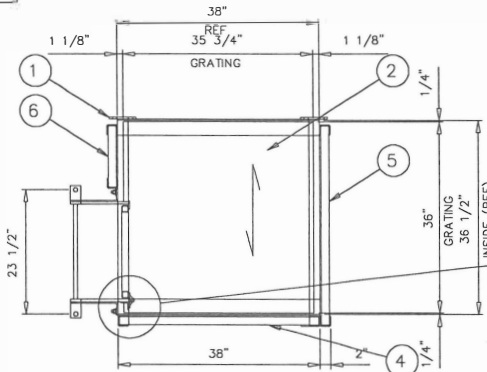
FAN DRIVE, 1,600 CFM @ 10" SP  
 FAN SIZE 9 DES 7991  
 MOTOR POSITION ON TOP

DATE	DRAWN	COPY OF		
15 APRIL 2004	HOLIERHOEK	A4-9717		
GROUP	SCALE	DRAWING NO	REV	WEIGHT
30	FULL	A3-43483	0	-

THIS DRAWING AND THE DESIGN SHOWN THEREIN IS THE PROPERTY OF US FILTER/BCP AND USE OR COPIES THEREOF CANNOT BE MADE WITHOUT WRITTEN CONSENT



ITEM	QTY	PART NO	DWG NO	DESCRIPTION	WT
1	1	C123666	A2-22455	ACCESS FRAME WELDMENT	125
2	1	C123093	A2-22233	JPSIC STANDARD BARGRATING PANEL	--
3	1	C138566	A1-51410	ACCESS LADDER	162
4	1	C123660	A1-44179	HANDRAIL-FRONT	34
5	1	C120795	A1-43191	HANDRAIL-NON LADDER END	45
6	1	C121483	A1-43193	HANDRAIL-LADDER END	29
7	2	--	--	1/2" NC X 4 1/2" LG HEX HD BOLT	--
8	8	--	--	1/2" FLAT WASHER	--
9	2	--	--	1/2" LOCK WASHER	--
10	2	--	--	1/2" NC HEX NUT	--
11	1	C78033	A2-8852	SWNG GATE	26



PN C181271

**U.S. FILTER**  
BCP

U.S. FILTER/BCP  
1219 CORPORATE DRIVE  
BURLINGTON, ONTARIO  
CANADA  
L7L 5V6

TELEPHONE: (800) 318-7830  
FACSIMILE: (800) 318-7832

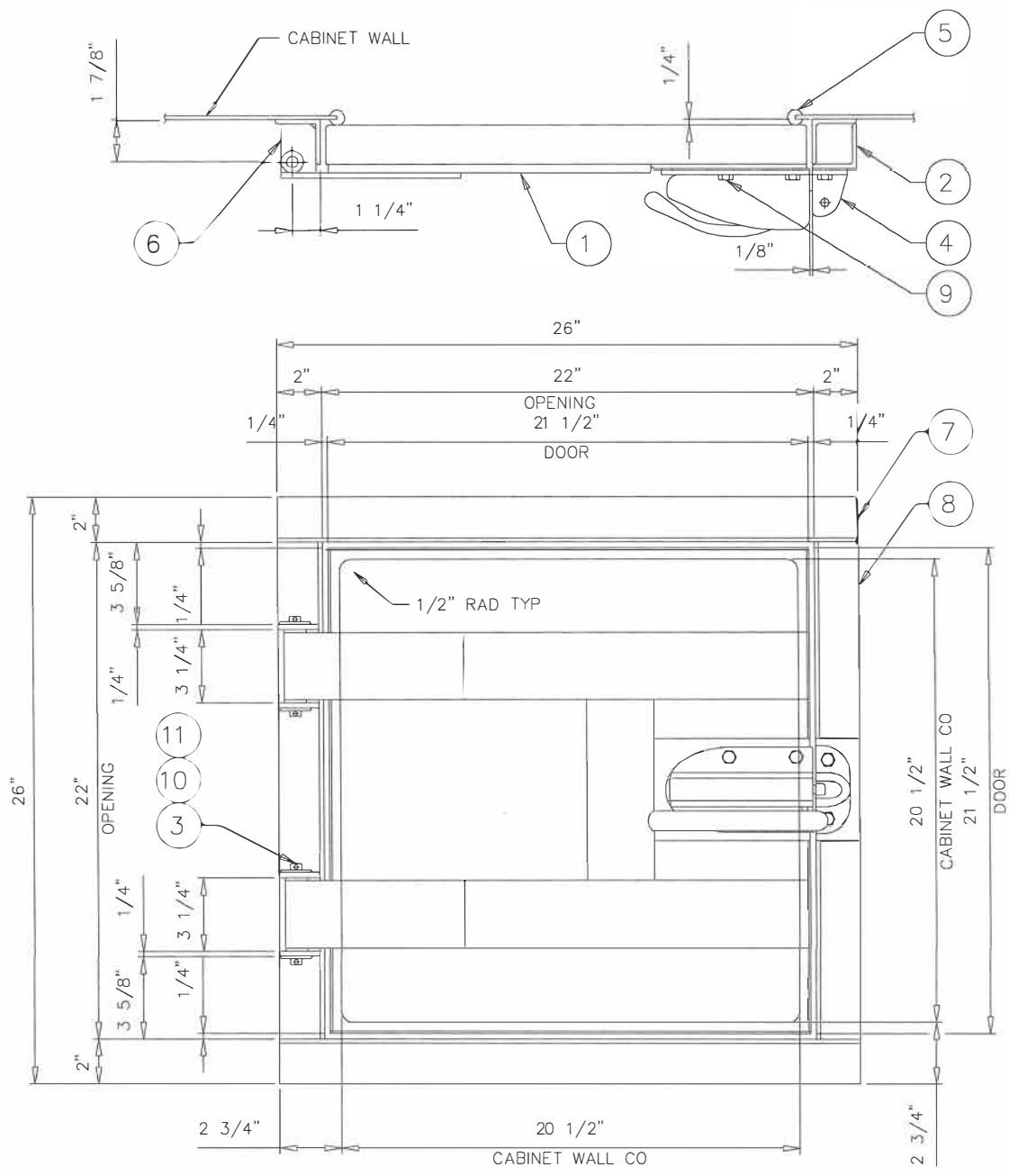
DATE: 17 MAR 2003  
SCALE: 1/4"=1'-0"  
GROUP: 30

DRAWN: H. HOLIERHOEK  
DRAWING NO: A1-71195  
REV: 0

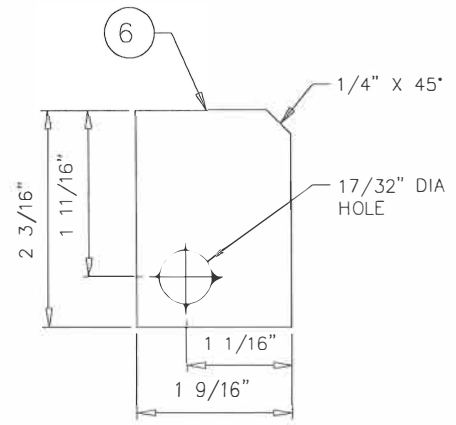
DESCRIPTION: JPSM-20 4 SERVICE ACCESS ARRANGEMENT

COPY OF: A1-43140  
WEIGHT: 421

REV	DATE	DESCRIPTION	BY
THIS DRAWING AND THE DESIGN SHOWN THEREIN IS THE PROPERTY OF U.S. FILTER/BCP AND USE OR COPIES THEREOF CANNOT BE MADE WITHOUT WRITTEN CONSENT			



ITEM	QTY	PART NO	DWG NO	DESCRIPTION	WT
1	1	C115611	A1-40253	DOOR PANEL	56
2	1	C30339	A3-2286	STRIKER BRACKET	2
3	2	C30344	A4-1408	HINGE PIN	2
4	1	C30345	-	LATCH	-
5	1	C17488	-	NEOPRENE SEAL X 6'-6"	-
6	4	-	-	PL 1/4" X 1 9/16" X 2 3/16"	2
7	2	-	-	< 2" X 2" X 3/16" X 26"	12
8	2	-	-	< 2" X 2" X 3/16" X 22"	10
9	6	-	-	3/8" NC HEX BOLT X 1 1/4" C/W NUT & LW	-
10	4	-	-	1/2" FLAT WASHER	-
11	4	-	-	3/16" DIA COTTER PIN X 1"	-



DETAIL ITEM 6  
SCALE : FULL SIZE

NOTE: DOOR TO BE HANG DOWN WITH LATCH DOWN

PN C115600



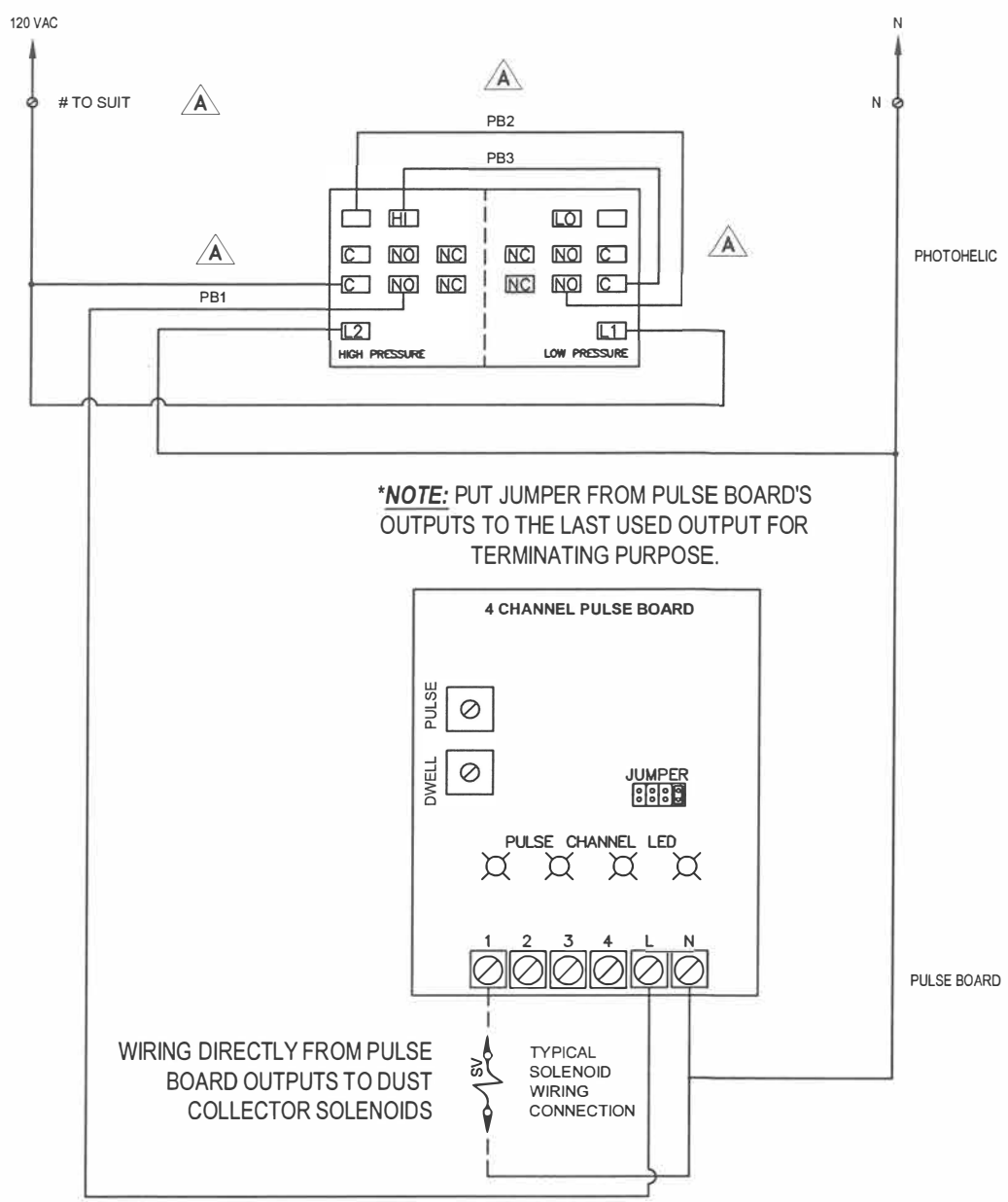
U.S. FILTER/BCP  
1219 CORPORATE DRIVE  
BURLINGTON, ONTARIO  
CANADA  
L7L 5V5  
TELEPHONE: (905) 319-7930  
FACSIMILE: (905) 319-7632

REV	DATE	DESCRIPTION	BY

THIS DRAWING AND THE DESIGN SHOWN THEREIN IS THE PROPERTY OF US FILTER/BCP AND USE OR COPIES THEREOF CANNOT BE MADE WITHOUT WRITTEN CONSENT

PRESSURE RELIEF DOOR (3.Sq Ft)		DATE 8 APRIL 1997	DRAWN J A BEER		COPY OF A1-29869
GROUP 19	SCALE 3"=1'-0"	DRAWING NO A2-19860	REV 0	WEIGHT 84	

# 4-CHANNEL PULSE BOARD AND PHOTOHELIC CONNECTION FOR DUST COLLECTOR



**\*NOTE:** PUT JUMPER FROM PULSE BOARD'S OUTPUTS TO THE LAST USED OUTPUT FOR TERMINATING PURPOSE.

WIRING DIRECTLY FROM PULSE BOARD OUTPUTS TO DUST COLLECTOR SOLENOIDS

**HIGH SET POINT:** WHEN GAUGE REACHES HIGH SET POINT, PULSE BOARD STARTS PULSING.  
**LOW SET POINT:** WHEN GAUGE REACHES LOW SET POINT, PULSE BOARD STOPS PULSING.

A	ADDED TEXT	08/17/2001	TH
REV.	REVISION DESCRIPTION	DATE	BY
PRODUCT # DE00005R		REV A	
<b>USP SPQ</b>			
<b>BCP</b>			
ELECTRICAL CONTROL PANELS			
4-CHNL PULSE BOARD-PHOTOHELIC CONNECTION			
ELECTRICAL			
DESIGN	TRUONG	GROUP	306
DATE	07/10/1999	FOCAL LENGTH	-
			2"=1"

THIS DRAWING AND THE DESIGN SHOWN THEREIN IS THE PROPERTY OF USP. SURFACE PREPARATION AND USE OR COPIES THEREOF CANNOT BE MADE WITHOUT WRITTEN CONSENT.

TOLERANCE  
 UNLESS OTHERWISE SPECIFIED  
 DIMENSIONS ARE IN INCHES  
 DECIMALS TO 2 PLACES  
 FRACTIONS TO 16 PLACES

ALL SHIP OVER SEA